

Beverage Service Carts

Models MDC24, MDC24F



Features & Benefits

- Perfect for food delivery or offering self-service beverages or snacks. May also be used for a convenient wait staff service station.
- Model MDC24 has a recessed counter that holds 3 each one gal. (3,8 L) Camtainers® (Model 100LCD). Also accommodates Condiment Bins and/or merchandising containers for snacks or specialty items.
- Model MDC24F has a flat top counter to accommodate a variety of combinations of all Cambro insulated beverage containers.
- With the addition of the Optional Wire Rack, each compartment will hold 10 each Metric Camtrays® (Product #3253) or the following GN 1/1, 1/2 or 1/3 Size Food Pans:

2½" (6,5 cm) deep

- 4 each GN 1/1 Full Size
- 8 each GN 1/2 Size
- or 12 each GN 1/3 Size

4" (10 cm) deep

- 3 each GN 1/1 Full Size
- 6 each GN 1/2 Size
- or 9 each GN 1/3 Size

6" (15 cm) deep

- 2 each GN 1/1 Full Size
- 4 each GN 1/2 Size
- or 6 each GN 1/3 Size

8" (20 cm) deep

- 1 each GN 1/1 Full Size
- 2 each GN 1/2 Size
- or 3 each GN 1/3 Size

- One-piece, seamless, double-wall, durable polyethylene construction will not dent, crack, bubble, chip or break. Can be wiped or steam-cleaned.
- Two bottom compartments are insulated with foamed-in polyurethane.
- Open compartment shelf under work area is large enough to store set-ups or additional food items.
- Molded-in handles on both sides provide easy steering and maneuvering.
- Four each 6" (15,24 cm) casters, 2 fixed, 2 swivel, 1 w/ brake, provide easy transport and maneuvering.
- Non-electrical.
- No assembly required.
- Available in 3 colors.

Item No. _____

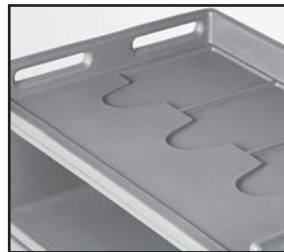
Specifier Identification No. _____

Model No. _____

Quantity _____



MDC24 (Shown with Optional 1 gal. (3,8 L) Camtainers, Condiment Bins and Wire Rack with Metric Camtrays)



Recessed top on Model MDC24 holds 3 each, 1 gal. (3,8 L) Camtainers and stacked Condiment Bins.



Model MDC24F has a flat top counter to allow menu service flexibility.



Organize Food Pans and Trays by placing the Optional Wire Rack inside the insulated compartments.



Closed compartments also hold supplies.

Approvals



Beverage Service Carts

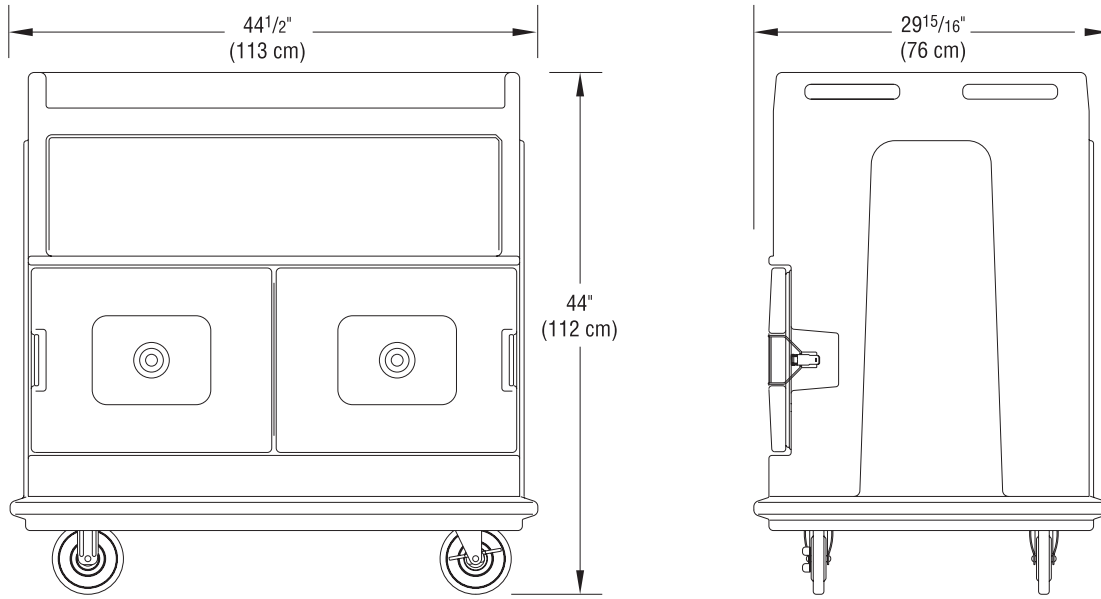
Models MDC24, MDC24F

Item No. _____

Specifier Identification No. _____

Model No. _____

Quantity _____



MDC24 / MDC24F

Specifications

Dimension Tolerance: +/- 1/4" (0,64 cm)

CODE	DESCRIPTION	EXTERIOR DIMENSIONS W x D x H	CASE LB. (CUBE) CASE KG. (M ³)
MDC24 / MDC24F	Beverage Service Cart	44 1/2" x 30 " x 44" (113 x 76 x 112 cm)	133 (37.67) 60,3 (1,055)

Optional Accessories

Wire Rack: MDC24R

Condiment Bin: 5412CBP

For MDC24R

Camtainer®: 100LCD -1 gallon (3,8 L)

For MDC24R

Camtainer: 100LCD, 250LCD, 500LCD, 1000LCD

Ultra Camtainer: UC250, UC500, UC1000

CamServer®: CSR3, CSR5

Standard Colors

- Granite Green (192)
- Slate Blue (401)
- Granite Gray (191)

Architect Specs

The non-electrical beverage service cart shall be Model MDC24 or Model MDC24F manufactured by Cambro Mfg. Co., Huntington Beach, CA 92647, U.S.A. It shall be made of one-piece, seamless, double-wall, high-density, polyethylene and shall be foam-injected with polyurethane. Model MDC24 shall have a recessed counter that will hold 3 each one gallon (3,8 L) Camtainers or Condiment Bins. Model MDC24F shall have a flat counter. With the Optional Wire Rack, the two insulated compartments shall accommodate 10 each 3253 Metric Camtrays or GN Full, Half or Third Size Food Pans, from 2 1/2" (6,5 cm) to 8" (20 cm) deep. It shall have an open compartment shelf under the recessed work top area for convenient storage. It shall have molded-in handles on both sides. It shall have 4 each 6" (15,24 cm) casters, 2 fixed, 2 swivel, 1 w/ brake. It shall require no assembly. It shall be available in 3 colors.

Approvals

